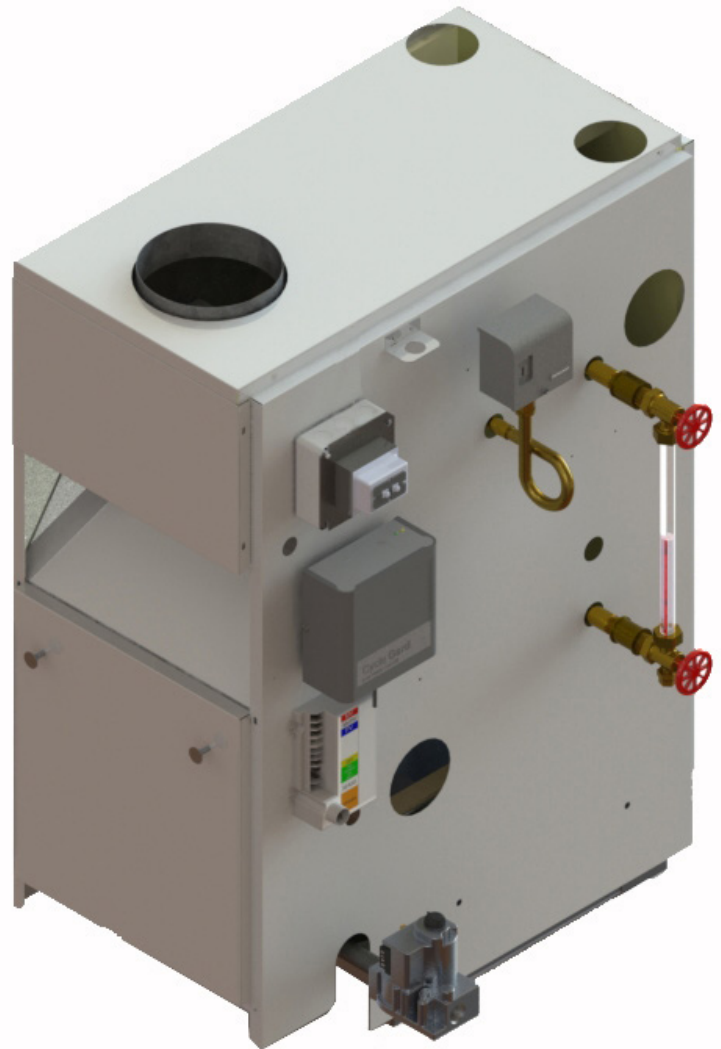


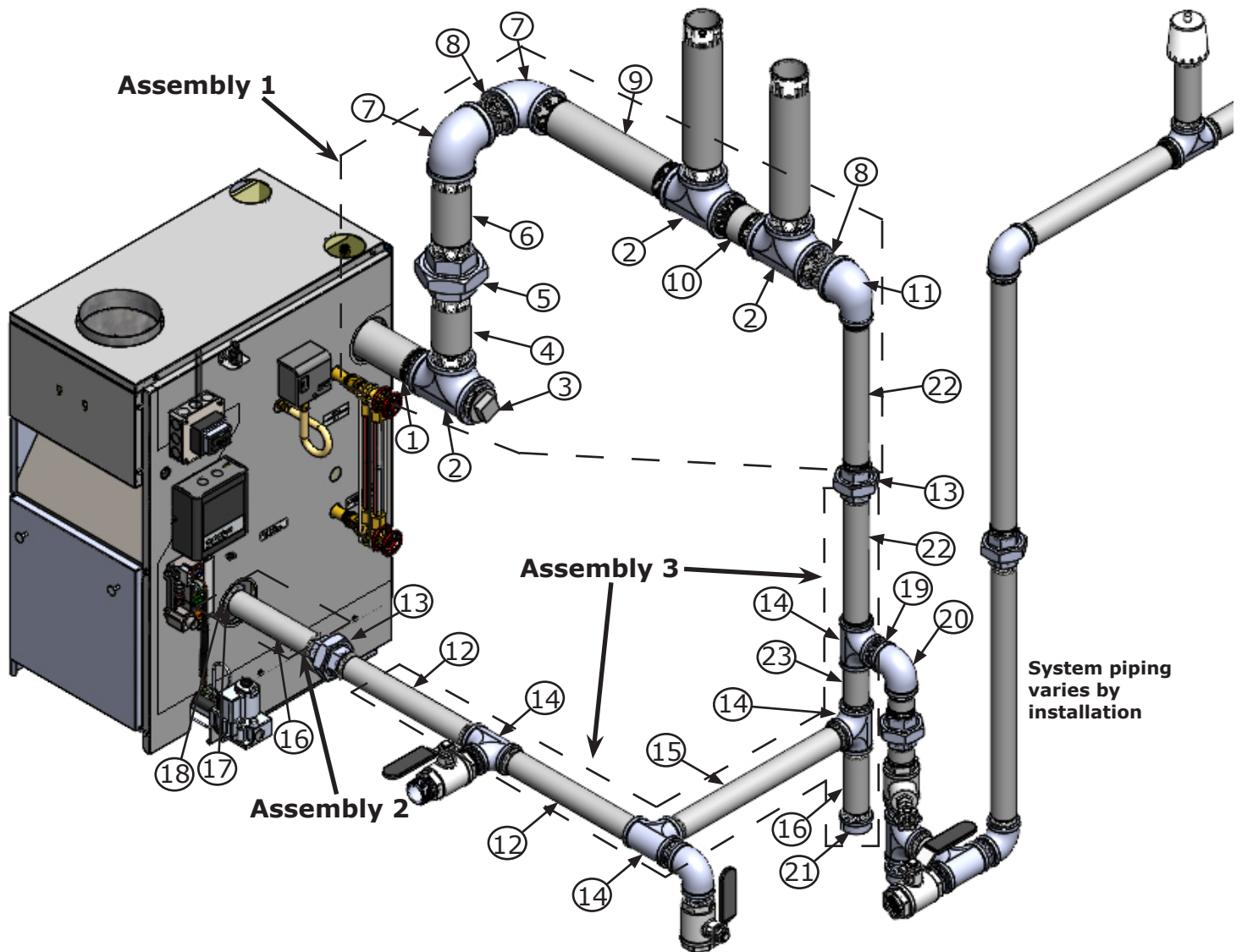
# GAS-FIRED STEAM BOILERS

## NEAR BOILER PIPING



Manufactured by:  
ECR International Inc.  
2201 Dwyer Avenue, Utica, NY 13501  
Tel. 800 253 7900  
[www.ecrinternational.com](http://www.ecrinternational.com)  
PN 615000243 REV. C [06/05/2024]

**ONE SUPPLY TAPPING  
FOR 3 AND 4 - SECTION BOILERS ONLY**



- All installations shall follow National/Local codes and requirements mentioned in boiler installation manual.
- It is recommended to apply Teflon tape and quality pipe dope on all threaded connections.
- Engagement depth for all piping is normally around  $1\frac{9}{32}$ " per threaded connection.
- Engagement depth of threaded connection depends on quality and supplier of parts. Installer is responsible for making sure each connection is fully engaged, secure, and leak free.
- General guide only. Check dimensions of specific install location and adjust piping as needed to meet requirements in IOM.
- This guide is not intended to require replacement of existing piping. Existing piping may meet the requirements outlined in the IOM.

## ONE SUPPLY TAPPING - LIST OF PARTS

<b>Piping</b>			
Item #	Description	Length	Quantity Required
1	2 ½" NPT,Nipple	9"	1
2	2 ½" NPT,Tee Connector	n/a	3
3	2 ½" NPT,Plug	n/a	1
4	2 ½" NPT,Nipple	7"	1
5	2 ½" NPT,Union	n/a	1
6	2 ½" NPT,Nipple	8"	1
7	2 ½" NPT,Elbow Connector	n/a	2
8	2 ½" NPT,Nipple	3"	2
9	2 ½" NPT,Nipple	14"	1
10	2 ½" NPT,Nipple	4 ½"	1
11	2 ½" to 1 ½" NPT,Elbow Reducer	n/a	1
12	1 ½" NPT,Nipple	14"	3
13	1 ½" NPT,Union	n/a	2
14	1 ½" NPT,Tee Connector	n/a	4
15	1 ½" NPT,Nipple	18"	1
16	1 ½" NPT,Nipple	7"	2
17	2"-1 ½" Bushing Reducer	n/a	1
18	2 ½"-2" Bushing Reducer	n/a	1
19	1 ½" NPT,Nipple	1 ¾"	1
20	1 ½" NPT,Elbow Connector	n/a	1
21	1 ½" NPT,Cap	n/a	1
22	1 ½" NPT,Nipple	12"	2
23	1 ½" NPT,Nipple	6 ½"	1

## ONE SUPPLY TAPPING - ASSEMBLY PROCEDURE

- Assembly 1

1. Secure Pipe 1 to boiler
2. Tee 2 to pipe 1
3. Plug 3 to tee 2
4. Pipe 4 to tee 2
5. Union 5 to pipe 4
6. Pipe 6 onto other side of union 5
7. Elbow 7 to pipe 6
8. Pipe 8 to elbow 7
9. Elbow 7 to pipe 8
10. Pipe 9 to elbow 7
11. Tee 2 to pipe 9
12. Pipe 10 to tee 2
13. Tee 2 to pipe 10
14. Pipe 8 to Tee 2
15. Reducer 11 to Pipe 8
16. Pipe 22 to elbow reducer 11
17. Half union 13 to pipe 22

- Assembly 2

1. Secure bushing 18 to boiler
2. Bushing 17 to bushing 18
3. Pipe 16 to bushing 19
4. Half of union 13 to pipe 16

- Assembly 3

1. Half of union 13 to pipe 22
2. Tee 14 to pipe 22
3. Pipe 23 to tee 14
4. Tee 14 to pipe 23
5. Pipe 16 to tee 14
6. Cap 21 to pipe 16
7. Pipe 15 to tee 14
8. Tee 14 to pipe 16
9. Pipe 12 to tee 14
10. Tee 14 to pipe 12
11. Pipe 12 to tee 14
12. Half of union 13 to pipe 12

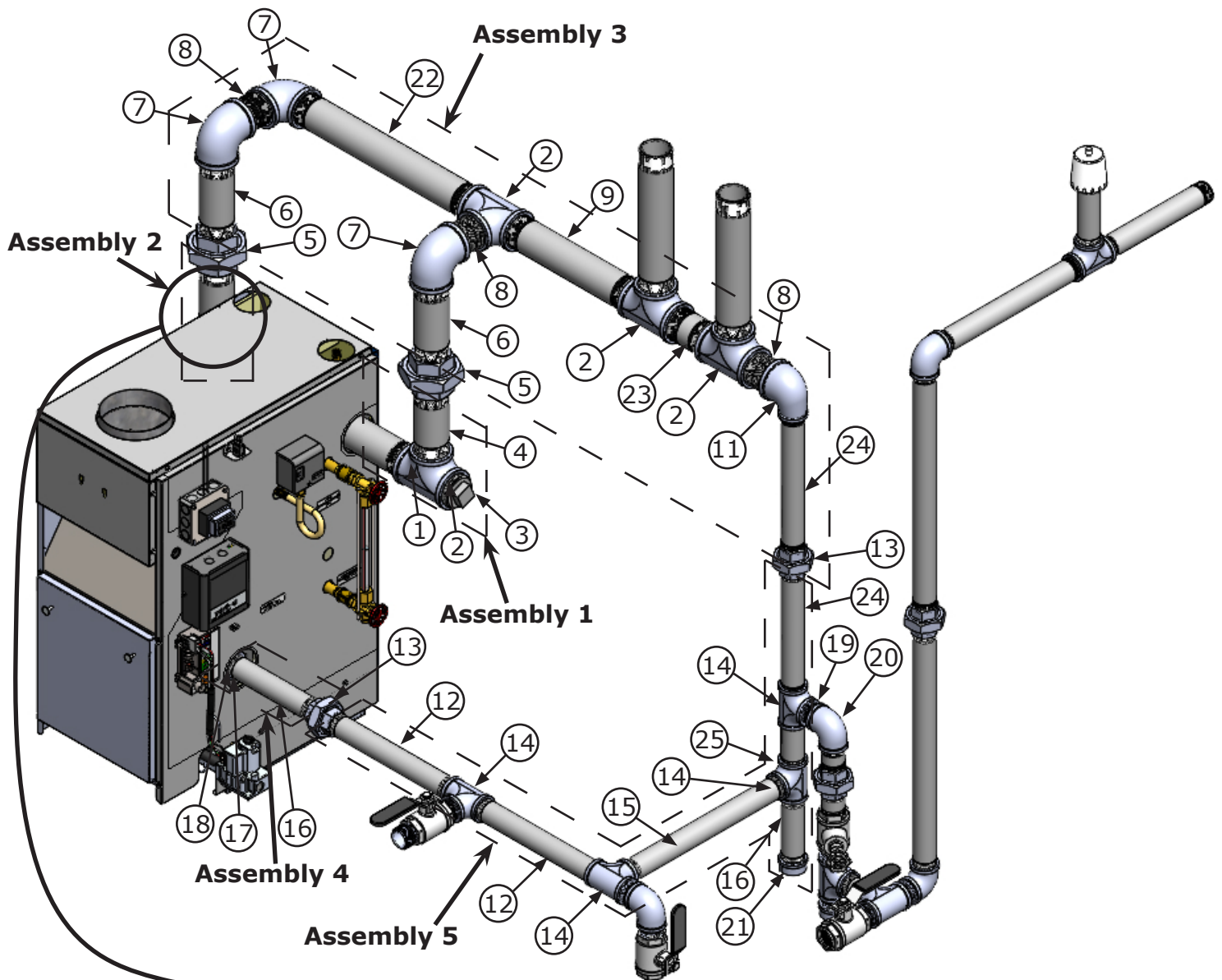
- Attach assembly 3 to both assembly 1 & 2

- Finish near boiler piping

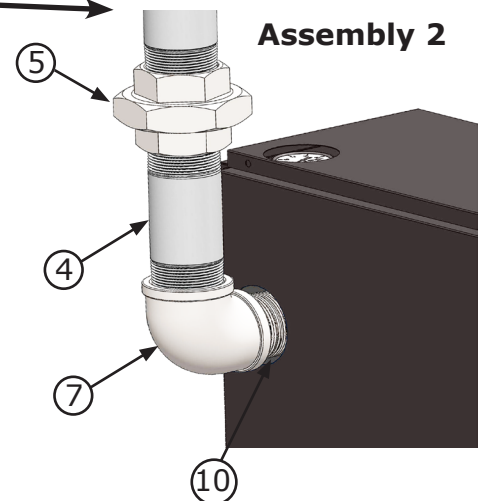
1. Pipe 19 to tee 14 from assy 3
2. Elbow 20 to system piping

## TWO SUPPLY TAPPING

**APPLICABLE FOR ALL MODELS. REQUIRED FOR 5 SECTION OR LARGER BOILERS**



- All installations shall follow National/Local codes and requirements mentioned in boiler installation manual.
- It is recommended to apply Teflon tape and quality pipe dope on all threaded connections.
- Engagement depth for all piping is normally around  $1\frac{9}{32}$ " per threaded connection.
- Engagement depth of threaded connection depends on quality and supplier of parts. Installer is responsible for making sure each connection is fully engaged, secure, and leak free.
- General guide only. Check dimensions of specific install location and adjust piping as needed to meet requirements in IOM.
- This guide is not intended to require replacement of existing piping. Existing piping may meet the requirements outlined in the IOM.



**TWO SUPPLY TAPPING - LIST OF PARTS**

Item #	Description	Length	Quantity Required
1	2 ½" NPT,Nipple	9"	1
2	2 ½" NPT,Tee Connector	n/a	3
3	2 ½" NPT,Plug	n/a	1
4	2 ½" NPT,Nipple	7"	2
5	2 ½" NPT,Union	n/a	2
6	2 ½" NPT,Nipple	8"	2
7	2 ½" NPT,Elbow Connector	n/a	4
8	2 ½" NPT,Nipple	3"	3
9	2 ½" NPT,Nipple	14"	1
10	2 ½" NPT,Nipple	2 ½"	1
11	2 ½" to 1 ½" NPT,Elbow Reducer	n/a	1
12	1 ½" NPT,Nipple	14"	3
13	1 ½" NPT,Union	n/a	1
14	1 ½" NPT,Tee Connector	n/a	4
15	1 ½" NPT,Nipple	18"	1
16	1 ½" NPT,Nipple	7"	2
17	2"-1 ½" Bushing Reducer	n/a	1
18	2 ½"-2" Bushing Reducer	n/a	1
19	1 ½" NPT,Nipple	1 ¾"	1
20	1 ½" NPT,Elbow Connector	n/a	1
21	1 ½" NPT,Cap	n/a	1
22	2 ½" NPT,Nipple	3 Sec - 16" 4 Sec - 19" 5 Sec - 22 1/2" 6 Sec - 26" 7 Sec - 29" 8 Sec - 32" 9 Sec - 35 1/2"	1
23	2 ½" NPT,Nipple	4 ½"	1
24	1 ½" NPT, Nipple	12"	2
25	1 ½" NPT,Nipple	6 ½"	1

## TWO SUPPLY TAPPING - ASSEMBLY PROCEDURE

- Assembly 1

1. Secure Pipe 1 to boiler
2. Tee 2 to pipe 1
3. Plug 3 to tee 2
4. Pipe 4 to tee 2
5. Half of Union 5 to pipe 4

- Assembly 2

1. Secure pipe 10 to boiler
2. Elbow 7 to pipe 10
3. Pipe 4 to elbow 7
4. Half of Union 5 to pipe 4

- Assembly 3

1. Half of union 5 to pipe 6
2. Elbow 7 to pipe 6
3. Pipe 8 to elbow 7
4. Tee 2 to pipe 8
5. Pipe 22 to tee 2
6. Elbow 7 to pipe 22
7. Pipe 8 to elbow 7
8. Elbow 7 to pipe 8
9. Pipe 6 to elbow 7
10. Half of union 5 to pipe 6
11. Pipe 9 to tee 2
12. Tee 2 to pipe 9
13. Pipe 23 to Tee 2
14. Tee 2 to pipe 23
15. Pipe 8 to tee 2
16. Elbow reducer 11 to pipe 8
17. Pipe 24 to elbow reducer 11
18. Half of union 13 to pipe 24.

- Attach assembly 3 to both assembly 1 & 2

- Assembly 4

1. Secure reducer 18 to boiler
2. Reducer 17 to reducer 18
3. Pipe 16 to reducer 17
4. Half union 13 to pipe 16

- Assembly 5

1. Half of union 13 to pipe 24
2. Tee 14 to pipe 24
3. Pipe 25 to tee 14
4. Tee 14 to pipe 25
5. Pipe 16 to tee 14
6. Cap 21 to pipe 16
7. Pipe 15 to tee 14
8. Tee 14 to pipe 15
9. Pipe 12 to tee 14
10. Tee 14 to pipe 12
11. Pipe 12 to tee 14
12. Half of union 13 to pipe 12

- Attach assembly 5 to both assembly 3 & 4

- Finish near boiler piping

1. Pipe 19 to tee 14 from assy 5
2. Elbow 20 to pipe 19
3. Elbow 20 to system piping



2201 Dwyer Avenue, Utica, NY 13501  
Tel. 800 253 7900  
[www.ecrinternational.com](http://www.ecrinternational.com)

All specifications subject to change without notice.  
©2024 ECR International, Inc.