



**Models**  
**Q90-125**  
**Q90-150**  
**Q90-175**  
**Q90-200**

# **Q90 125-200 SERIES II**

## **GAS-FIRED DIRECT VENT CONDENSING HOT WATER BOILER**

### **REPAIR PARTS, OPTIONAL KITS**

#### Ordering Instructions

Order Parts through your nearest supplier.

When ordering parts, obtain Model Number and Serial Number from data plate on your boiler.

Include following information when ordering.

Part Number \_\_\_\_\_

Part Description \_\_\_\_\_

Boiler Model Number \_\_\_\_\_

Boiler Serial Number \_\_\_\_\_



An ISO 9001-2008 Certified Company

**Manufactured by:**

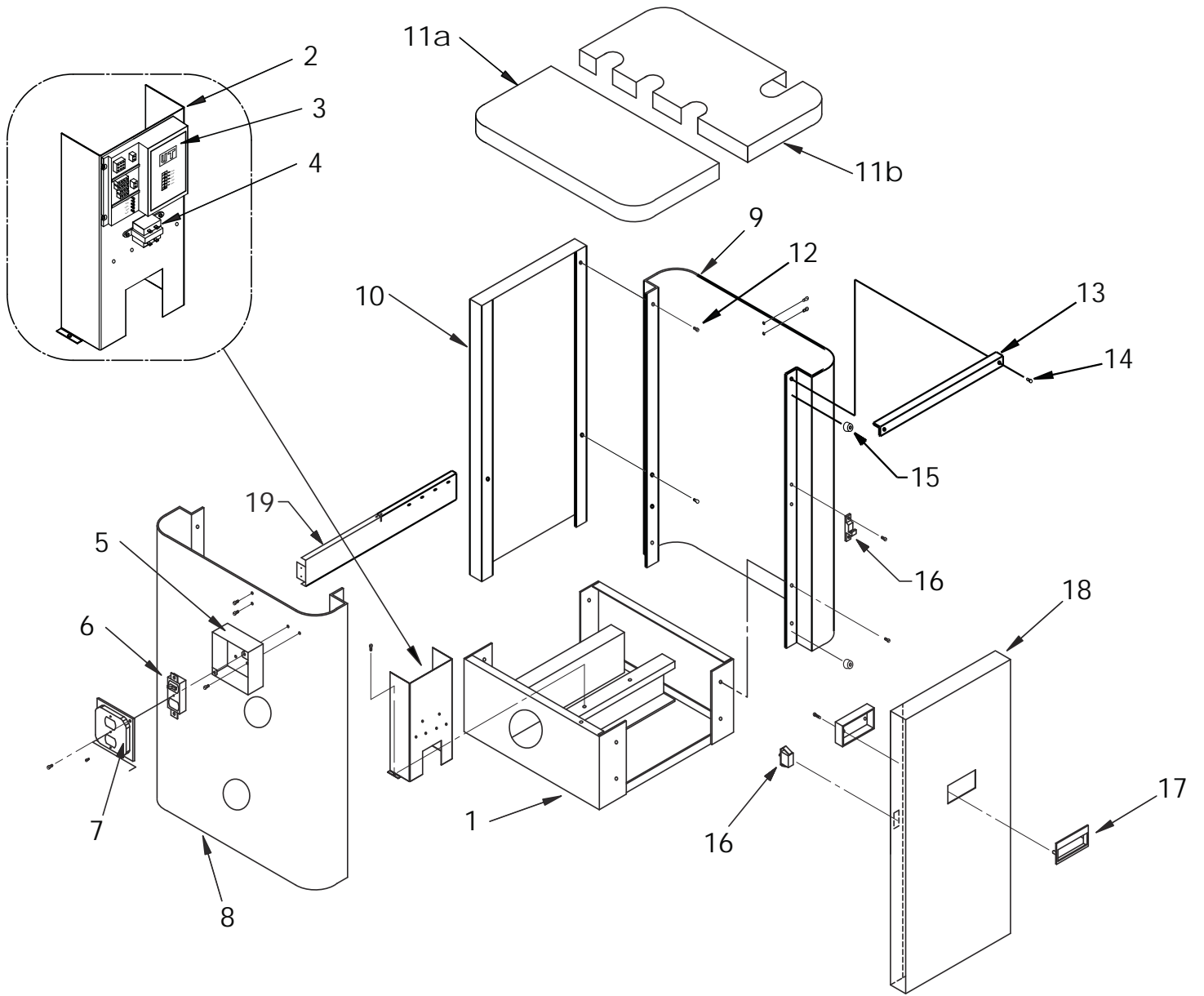
**ECR International, Inc.**

2201 Dwyer Avenue, Utica NY 13504-4729

web site: [www.ecrinternational.com](http://www.ecrinternational.com)

P/N 240009452, Rev. A [03/2012]

# JACKET AND BASE ASSEMBLY



## JACKET AND BASE ASSEMBLY

| ITEM | PART NO.    | DESCRIPTION                                    | QTY. |
|------|-------------|--|------|
| 1    | 2272144     | Base Replacement Kit (125-200)                 | 1    |
| 2    | 650001028   | Control Panel                                  | 1    |
| 3    | 14662803    | Control Integrated                             | 1    |
| 4    | 550001339   | 40 VA Transformer Replacement Kit              | 1    |
| 5    | 14631316    | 4" x 4" x 2 1/8" J-Box                         | 1    |
| 6    | 14631319    | Switch, P & S                                  | 1    |
| 7    | 14631318    | J-Box Plate Cover                              | 1    |
| 8    | 2272152AC   | Jacket Panel, Left Side Replacement Kit, Blue  | 1    |
| 9    | 2272151AC   | Jacket Panel, Right Side Replacement Kit, Blue | 1    |
| 10   | 750001031AC | Jacket Panel, Back, Blue                       | 1    |
| 11a  | 2370003AC   | Jacket Panel, Top Left, Blue                   | 1    |
| 11b  | 2370004AC   | Jacket Panel, Top Right, Blue                  | 1    |
| 12   | 14695074    | Screw #10 x 1/2" ZP                            | 14   |
| 13   | 750001034   | Jacket Tie Bar                                 | 1    |
| 14   | 14695060    | Screw #10 x 1/2"                               | 12   |
| 15   | 1225013     | Tap Bumper                                     | 4    |
| 16   | 1225012     | Latch and Clip Kit                             | 1    |
| 17   | 14631095    | Door Pull                                      | 1    |
| 18   | 2272150     | Jacket Service Door Replacement Kit            | 1    |
| 19   | 2485001     | Pressure Switch Mounting Plate                 | 1    |
| *    | 240006970   | Wire Harness                                   | 1    |
| *    | 14631174    | 2 1/2" Plug                                    | 1    |
| *    | 2272164AC   | Jacket, Complete Replacement Kit, Blue         | 1    |

\* Not Shown

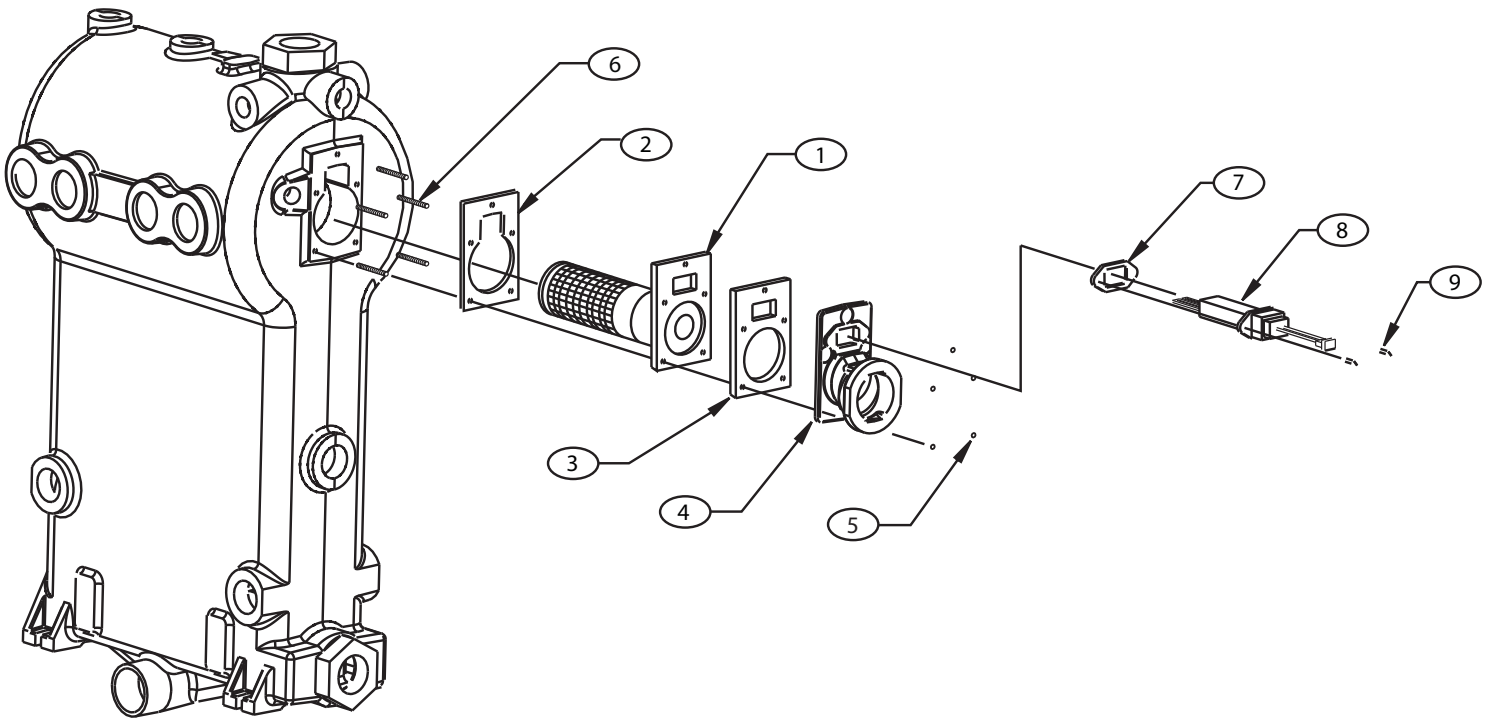
CIRCULATOR PUMPS (OPTIONAL)

| PART NO.  | DESCRIPTION                        | QTY.             |
|-----------|------------------------------------|------------------|
| CI-001.01 | Circulator Pump w/Flange, B&G      | 1 <sup>(a)</sup> |
| CI-001.03 | Circulator Pump w/Flange, Taco     |                  |
| CI-006.01 | Circulator Pump w/Flange, Grundfos |                  |

<sup>(a)</sup> Please specify pump when ordering. Consult factory for details.

<sup>(b)</sup> Not available on all models. Consult factory for details.

## BURNER ASSEMBLY



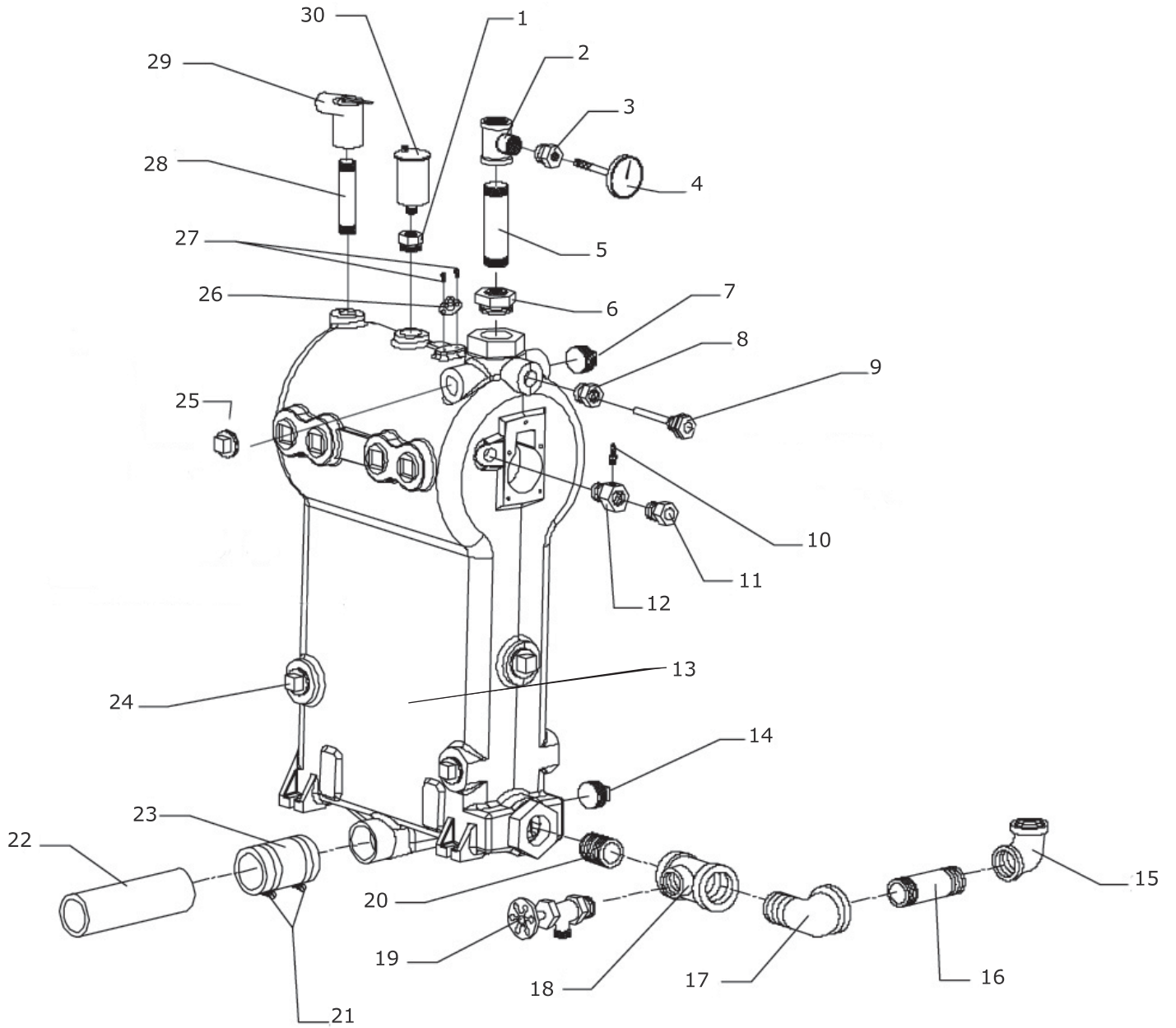
| ITEM | PART NO. | DESCRIPTION                     | QTY. |
|------|----------|---------------------------------|------|
| 1    | 2272149  | Burner Replacement Kit          | 1    |
| 2    | 1250009  | Burner/Casting Gasket           | 1    |
| 3    | 1250008  | Burner/Flue Adapter Gasket      | 1    |
| 4    | 12101022 | Flue Adapter                    | 1    |
| 5    | 14695810 | Hex Nut w/Serrated Washer ¼"-20 | 5    |
| 6    | 1450011  | Threaded Stud ¼"-20 x 1½"       | 5    |

### Hot Surface Igniter Replacement Kit (P/N#2272133)

*(includes Items 7-9 (below))*

|   |          |                      |   |
|---|----------|----------------------|---|
| 7 | 1250010  | Igniter/Mixer Gasket | 1 |
| 8 | 1264005  | Hot Surface Igniter  | 1 |
| 9 | 14695809 | Screw 10-32 x ¾"     | 2 |

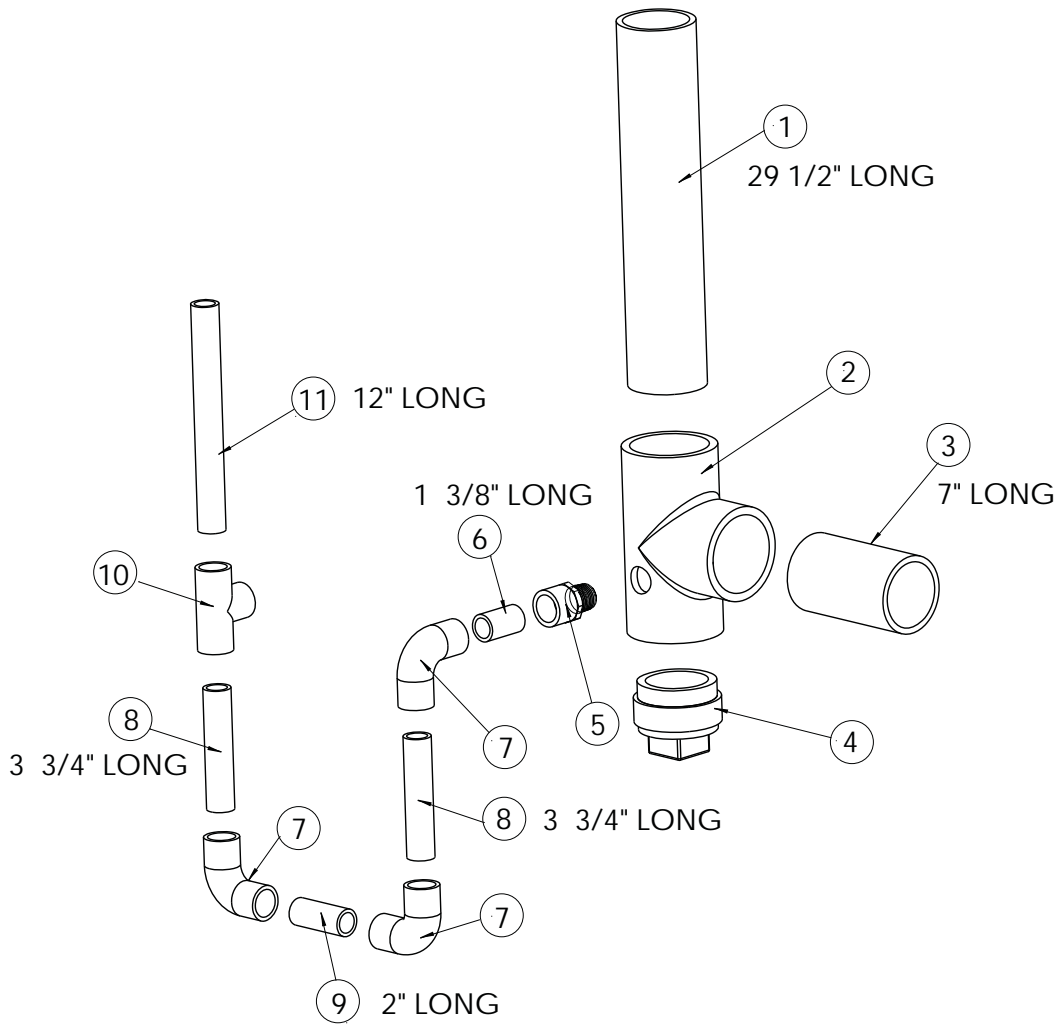
# BOILER BLOCK AND PIPING ASSEMBLY



**BOILER BLOCK AND PIPING ASSEMBLY**

| ITEM   | PART NO.                                | DESCRIPTION   | QTY.             |   |
|--|---|---|------------------|---|
|  | <b>2272160</b>                          | <b>Block Replacement Kit (Includes the following)</b> | <b>1</b>         |   |
| 1  | 240006955                               | Bushing, 3/4" x 1/8" Forged Steel                     | 1                |   |
| 6  | 240006459                               | Bushing, 1 1/2" x 1/4" 3000# Forged Steel             | 1                |   |
| 7  | 240006957                               | Plug, 1" Forged Steel                                 | 2                |   |
| 8  | 240006952                               | Bushing, 3/4" x 1/2" Forged Steel                     | 1                |   |
| 9  | 240009413                               | Well, Control 1/2" Hydrolevel                         | 1                |   |
| 10   | 1230010                                 | Barb fitting, 1/8" x 3/16"                            | 1                |   |
| 11   | 14619002                                | Observation glass 3/4"                                | 1                |   |
| 12   | 14631004                                | Adapter   | 1                |   |
| 13   | 240007283                               | Aluminum Monoblock Machined                           | 1                |   |
| 20   | 240006951                               | Pipe nipple, 1 1/2" x close Forged Steel              | 1                |   |
| 26   | 1500005                                 | Casting temp safety switch                            | 1                |   |
| *  | 1450011                                 | Threaded Stud 1/4-20 x 1 1/2                          | 5                |   |
| *  | 14695810                                | Nut, 1/4-20 HWS                                       | 5                |   |
| *  | 240006460                               | Sealant, Anaerobic, 250 ML tube                       | 1                |   |
| *  | 1040004                                 | Bolt, 5/16 x 1 1/2 Carriage                           | 4                |   |
| *  | 1330001                                 | Nut, 5/16-18 Whizlok,                                 | 4                |   |
| *  | 14695004                                | Self Tapping Screw 8-32 x 3/8                         | 2                |   |
| <b>The following parts are not included in the block replacement kit</b> |   |   |                  |   |
| 2  | PF05901                                 | 1 1/4" x 1 1/4" x 3/4" Std. Black Tee                 | 1                |   |
| 3  | 1060002                                 | 3/4" x 1/4" Std. Black Iron Bushing                   | 1                |   |
| 4  | 1260006SP                               | Temp/Pressure Gauge, 2" Shank                         | 1                |   |
| 5  | PF06501                                 | 1 1/4" x 7" NPT Std. Black Pipe Nipple                | 1                |   |
| 14   | 240006957                               | Plug, 1" Forged Steel                                 | 2                |   |
| 15   | 1190002                                 | Elbow 1 1/4" x 90°                                    | 1                |   |
| 16   | 1310002                                 | Nipple, Std. Blk. 1 1/4" x 4 1/2"                     | 1                |   |
| 17   | 1190004                                 | 1 1/4" Street Elbow Blk. 90°                          | 1                |   |
| 18   | 1510010                                 | Reducing Tee 1 1/2" x 1 1/4" x 3/4"                   | 1                |   |
| 19   | 14622000                                | Valve BLR DR 3/4"                                     | 1                |   |
| 21   | 14631302                                | Clamp stainless steel #44                             | 2                |   |
| 22   | 240006827                               | Vent Pipe 2" CPVC SCH-40 x 7" S636                    | 1                |   |
| 23   | 14631301                                | Hose 3" Long x 2 3/8" ID x 2 3/4" OD                  | 1                |   |
| 24   | 1395002                                 | 1 1/4" Socket Head Plug                               | 16               |   |
| 27   | 14695802                                | Screw Soc HD Cap 8-32 x 3/16"                         | 2                |   |
| 28   | 14607002                                | 3/4" x 6 1/2" Std. Black Nipple                       | 1                |   |
| 29   | 14622011                                | 3/4" Relief Valve                                     | 1                |   |
| 30   | 1580006                                 | Air Purge Vent w/Check Valve                          | 1                |   |
| *  | 290009365                               | High Limit, LWCO Control                              | 1                |   |
|  | <b>550002586</b>                        | <b>Kit, replacement LWCO /High Limit Control</b>      | <b>1</b>         |   |
| *  | 550002586<br>LWCO<br>Replacement<br>Kit | 240009365   | LWCO, High Limit | 1 |
|  |   | 240009413   | Well, High Limit | 1 |
| * Not Shown  |   |   |                  |   |

## EXHAUST TEE AND CONDENSATE TRAP ASSEMBLY



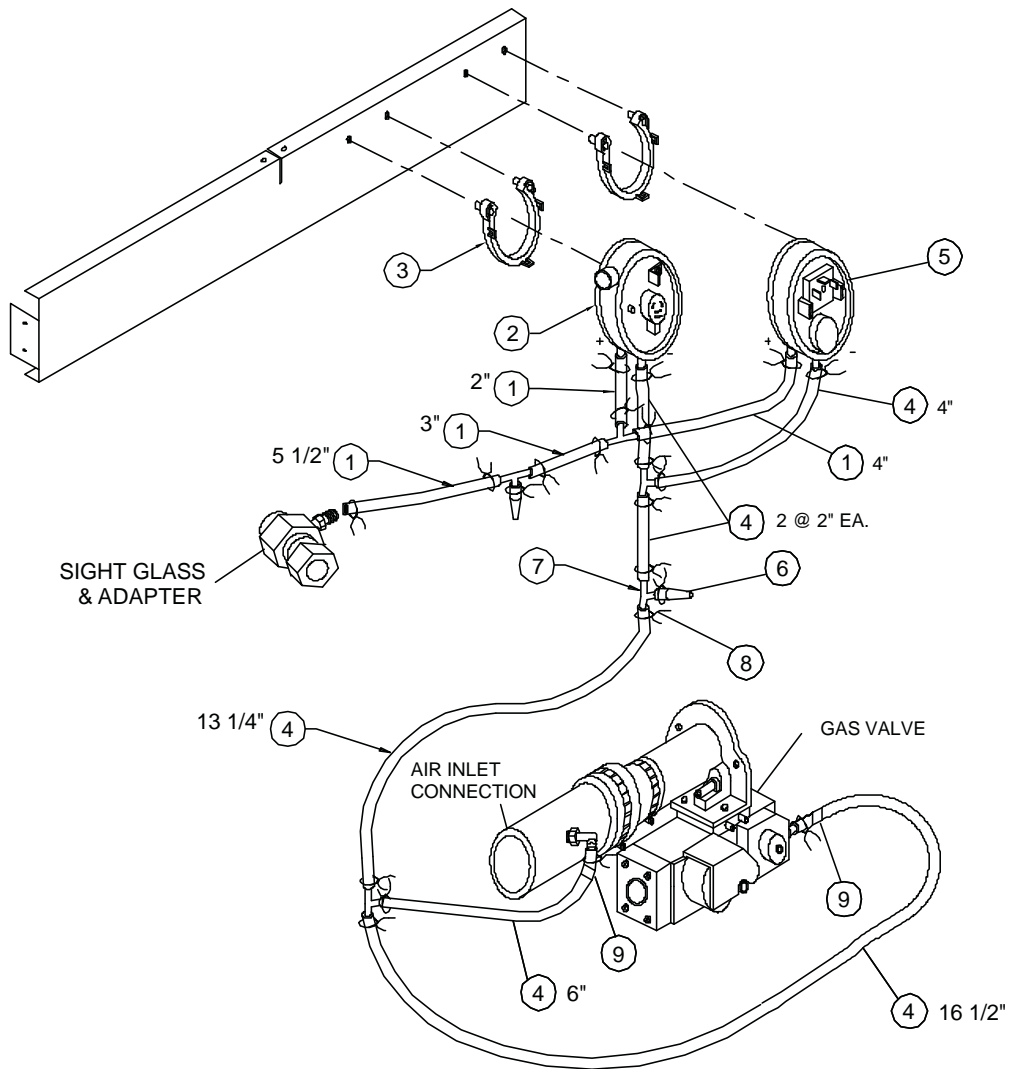
| ITEM | PART NO.  | DESCRIPTION  | QTY. |
|------|-----------|--|------|
| 1    | 240006820 | Vent Pipe 2" CPVC SCH-40 x 29½" S636               | 2    |
| 2    | 3001406   | Tee 2" CPVC SCH-80 S636, w/ hole                   | 1    |
| 3    | 240006827 | Vent Pipe 2" CPVC SCH-40 x 7" S636                 | 1    |
| 4    | 240005852 | Cleanout, PVC, 2"                                  | 1    |
| *    | 240007536 | Parts Bag, 90-200 Condensate (contains items 5-11) |      |
| 5    | 1001002   | PVC Fitting ½" NPT Male x ½" Slip Female           | 1    |
| 6    | 240007260 | Pipe ½" PVC SCH-40 x 1⅜"                           | 1    |
| 7    | 1190005   | Elbow ½" x 90° PVC SCH-40                          | 3    |
| 8    | 240007262 | Pipe ½" PVC SCH-40 x 3¾"                           | 2    |
| 9    | 240007261 | Pipe ½" PVC SCH-40 x 2"                            | 1    |
| 10   | 1510012   | Tee ½" x ½" x ½" PVC SCH-40                        | 1    |
| 11   | 240007263 | Pipe ½" PVC SCH-40 x 12"                           | 1    |
| *    | 240007554 | 3" Concentric Vent Kit ULC S636                    | 1    |
| *    | 240006822 | Coupling, 2" CPVC                                  | 1    |

550001925 condensate Trap / Exhaust Tee Kit (contains items 2 thru 11 as well as parts for connecting to existing vent and condensate lines.)

\* Not Shown

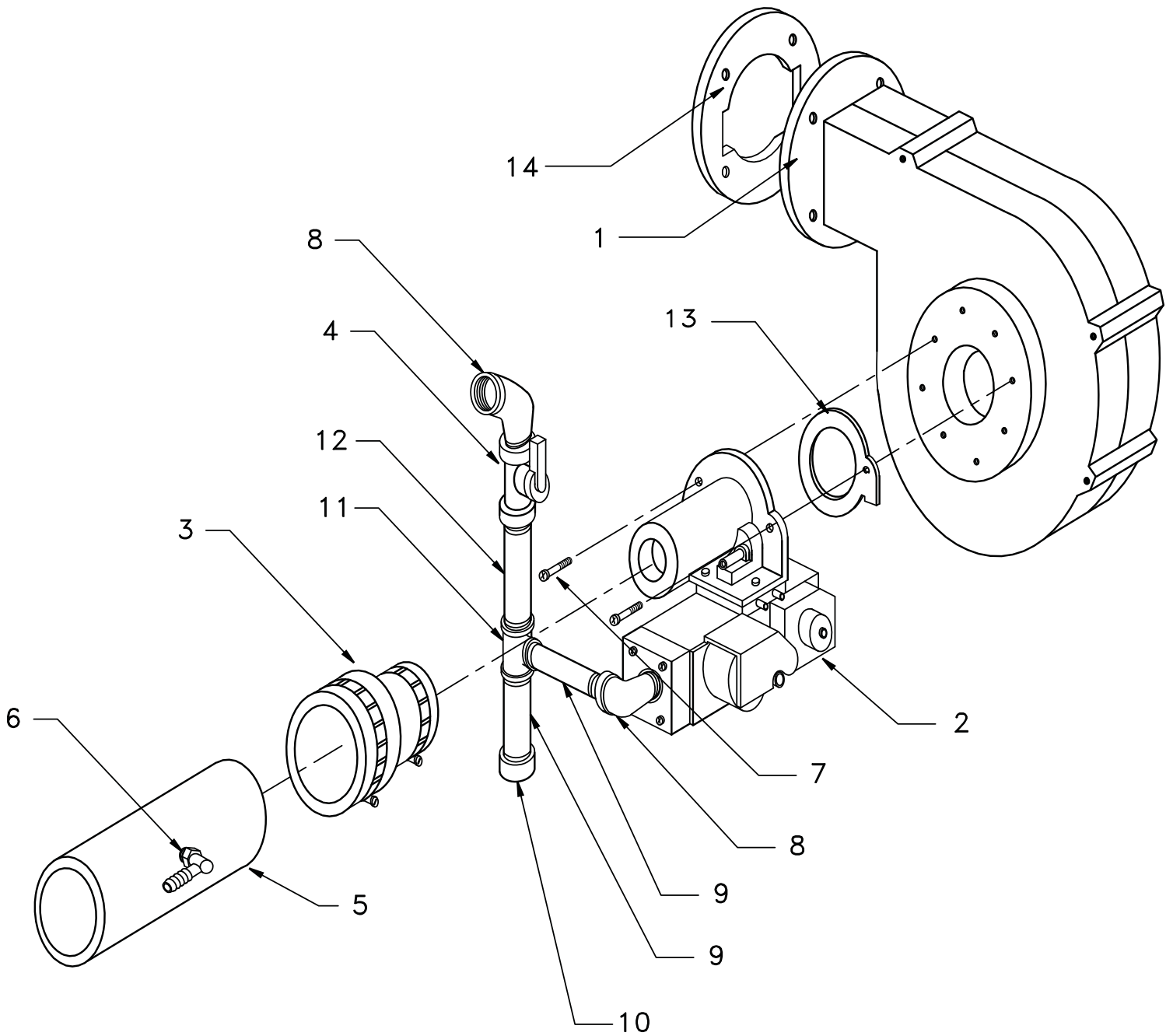


## MIXER AND AIR PRESSURE SWITCH ASSEMBLY



| ITEM | PART NO.  | DESCRIPTION                                    | QTY.   |
|------|-----------|--|--------|
| 1    | 1552014   | Silicone Tubing, $\frac{3}{16}$ " I.D.         | Varies |
| 2    | 1401004   | Air Pressure Switch, 3½" W.C.                  | 1      |
| 3    | 1401002   | Air Pressure Switch Clip                       | 2      |
| 4    | 1552004   | Orange Silicone Tubing, $\frac{3}{16}$ " I.D.  | Varies |
| 5    | 1401003   | Air Pressure Switch. ½" W.C.                   | 1      |
| 6    | 1230006   | $\frac{3}{16}$ " Black Vinyl Cap               | 2      |
| 7    | 1510009   | Plastic Barbed Hose Tee, $\frac{3}{16}$ " I.D. | 5      |
| 8    | 1110001   | Rotor Clamp                                    | 22     |
| 9    | PB-002.02 | Pilot Orifice, BBR10                           | 2      |

# FLUE ADAPTER AND EXHAUSTER ASSEMBLY



**FLUE ADAPTER AND EXHAUSTER ASSEMBLY**

| <b>ITEM</b> | <b>PART NO.</b> | <b>DESCRIPTION</b>                            | <b>QTY.</b> |
|-------------|-----------------|---|-------------|
| 1           | 2272145         | Blower Replacement Kit (includes #13 (below)) | 1           |
| 2           | 2272140         | Gas Valve Replacement Kit (125 Only)          | 1           |
|             | 2272141         | Gas Valve Replacement Kit (150 Only)          | 1           |
|             | 2272142         | Gas Valve Replacement Kit (175 Only)          | 1           |
|             | 2272143         | Gas Valve Replacement Kit (200 Only)          | 1           |
| 3           | 14631311        | 2" x 1½" Flex Coupling                        | 1           |
| 4           | 1570038         | Ball Valve ½" (Blue)                          | 1           |
| 5           | 1400007         | Vent Pipe 2" PVC SCH-40 (8" Long)             | 1           |
| 6           | 1230011         | Fitting, PE, ⅛" NPT" x ⅜", Barb 90°           | 1           |
| 7           | 1450012         | Screw T25 Torx                                | 2           |
| 8           | 14693801        | Elbow Street Mall ½" - 90 PWX                 | 2           |
| 9           | 14607301        | Nipple Blk. Std. ½" NPT x 3"                  | 2           |
| 10          | 1225015         | Cap ½" Cast Iron                              | 1           |
| 11          | 14657015        | Tee Black ½"                                  | 1           |
| 12          | 14607803        | Nipple Blk. Std. ½" x 4½"                     | 1           |
| 13          | 1250021         | Gasket, Cork, Venturi                         | 1           |
| 14          | 1250007         | Gasket, Fan Flue Adapter                      | 1           |
| *           | 1272033         | Nat to LP Replacement Kit (125 Only)          | 1           |
| *           | 1272034         | Nat to LP Replacement Kit (150 Only)          | 1           |
| *           | 1272035         | Nat to LP Replacement Kit (175 Only)          | 1           |
| *           | 1272036         | Nat to LP Replacement Kit (200 Only)          | 1           |
| *           | 1272037         | LP to Nat Replacement Kit (125-200)           | 1           |

\* Not Shown

**NOTES**

|  |
|--|
|  |
|  |
|  |
|  |
|  |
|  |
|  |
|  |
|  |
|  |
|  |
|  |
|  |
|  |
|  |
|  |
|  |
|  |
|  |
|  |
|  |
|  |