



**MODELS**  
**ESC3070**  
**ESC4105**  
**ESC5150**

# **ESC III STEAM SERIES 2**

## **OIL-FIRED CAST IRON BOILER**

### **PARTS AND OPTIONAL ACCESSORIES**

#### **Ordering Instructions**

Order Parts through your nearest supplier.

When ordering parts, obtain Model Number and Serial Number from data plate on your boiler.

Include following information when ordering.

Part Number \_\_\_\_\_

Part Description \_\_\_\_\_

Boiler Model Number \_\_\_\_\_

Boiler Serial Number \_\_\_\_\_

**Manufactured by:**

**ECR International, Inc.**

2201 Dwyer Avenue, Utica NY 13501  
web site: [www.ecrinternational.com](http://www.ecrinternational.com)

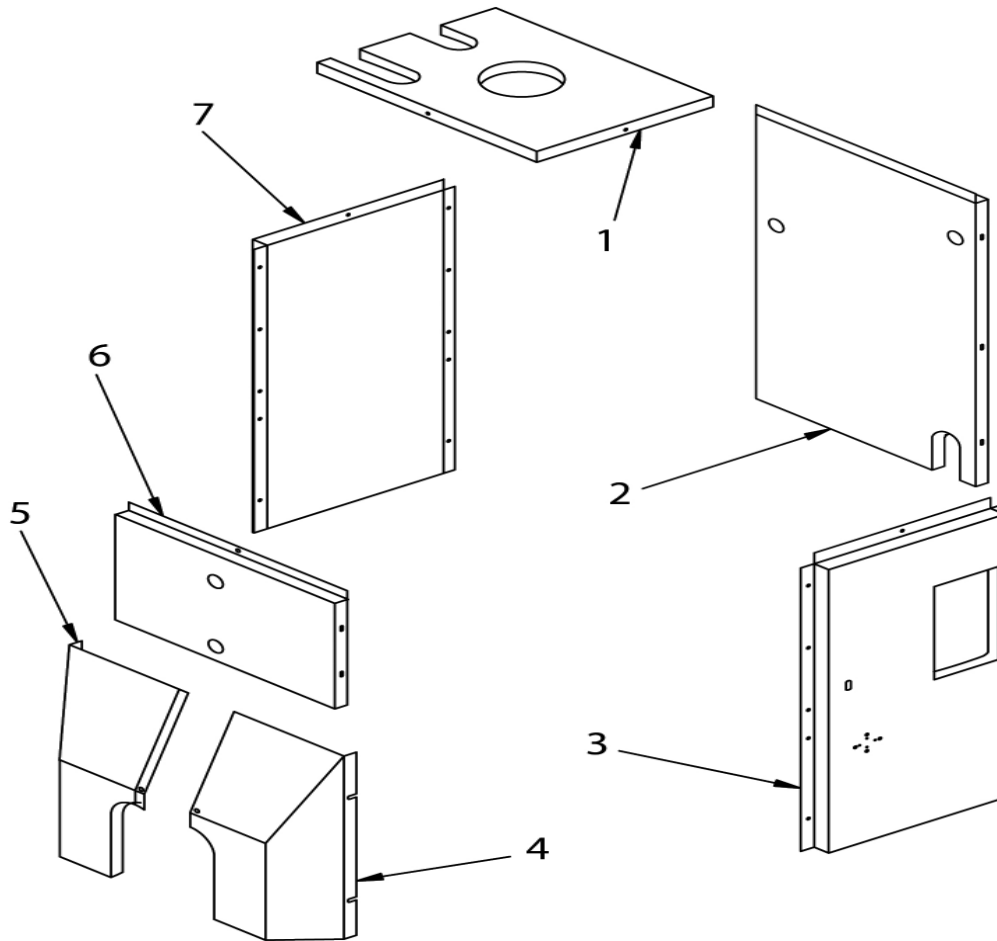


An ISO 9001-2008 Certified Company

P/N 240009703, Rev. A [08/2012]

## REPLACEMENT PARTS

### JACKETS

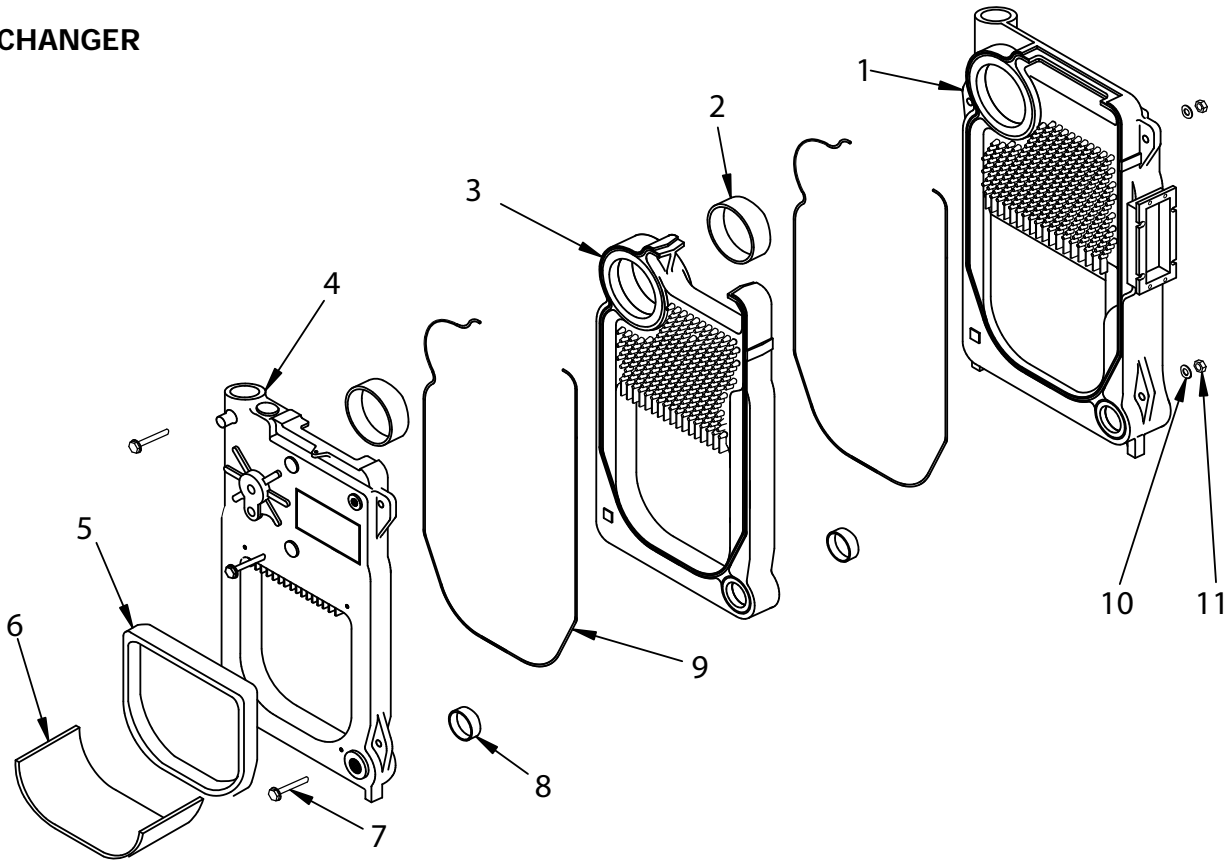


ITEM	DESCRIPTION	MODEL
		ESC
		PART #
1	Top Panel - 3 Sec.	21522801
	Top Panel - 4 Sec.	21522802
	Top Panel - 5 Sec.	21522803
2	Rear Panel	21521501
3	Right Side Panel - 3 Sec.	21523106
	Right Side Panel - 4 Sec.	21523107
	Right Side Panel - 5 Sec.	21523108
4	Lower Cowl - Right	21524401
5	Lower Cowl - Left	21524301
6	Top Front Panel	21524101
7	Left Side Panel - 3 Sec.	21521808
	Left Side Panel - 4 Sec.	21521809
	Left Side Panel - 5 Sec.	21521810
Not Shown	*Jacket Replacement Kit - 3 Sec.	3001487AC
	*Jacket Replacement Kit - 4 Sec.	3001488AC
	*Jacket Replacement Kit - 5 Sec.	3001489AC

\* Items 4 and 5 must be ordered to receive full jacket set

## REPLACEMENT PARTS

### HEAT EXCHANGER



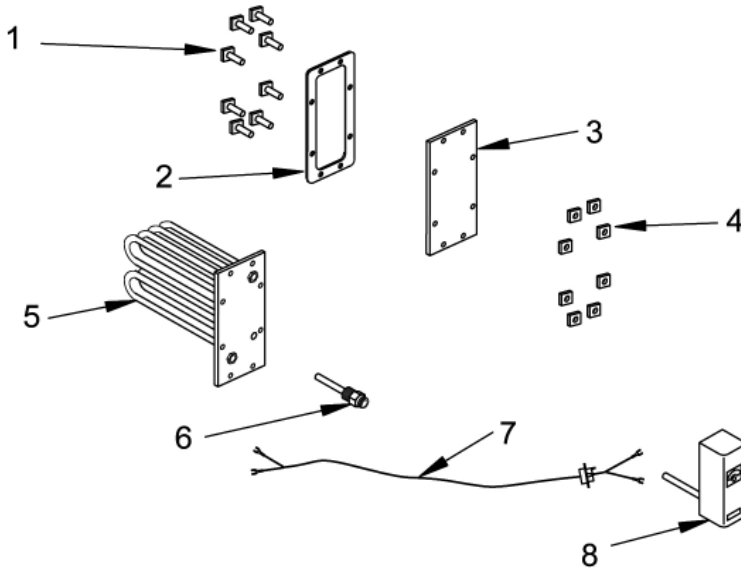
ITEM	PART NO.	DESCRIPTION	QTY
1	100-5-10.01	Rear Section	1
2	100-1-8.01	#60 Push Nipple - 3 Sec.	2
		#60 Push Nipple - 4 Sec.	3
		#60 Push Nipple - 5 Sec.	4
3	10051101	Center Section - 3 Sec.	1
		Center Section - 4 Sec.	2
		Center Section - 5 Sec.	3
4	10051802	Front Section Castover	1
	5611508	Kit - Target Wall & Insulation Blanket	
Kit Includes #5 and #6			
5	2552701	Target Wall - Pyrolite	1
6	25511005	Insul Blanket 16x24	1
7	HW-025.05	Tie Rod ½ x 9 - 3 Sec.	3
	HW-025.01	Tie Rod ½ x 12½ - 4 Sec.	
	HW-025.02	Tie Rod ½ x 16½ - 5 Sec.	
8	100-1-5.01	#22 Push Nipple - 3 Sec.	2
		#22 Push Nipple - 4 Sec.	3
		#22 Push Nipple - 5 Sec.	4
9	MS-006.00	Rope, Med. Density - 3 Sec.	13.0'
		Rope, Med. Density - 4 Sec.	19.5'
		Rope, Med. Density - 5 Sec.	26.0'
10	HW-008.03	Washer ½ ID Flat	3
11	HW-003.05	Nut ½ -13 Hex Head	3

#### FULLY ASSEMBLED HEAT EXCHANGERS

550001977	3 Section Without Coil
550001978	4 Section Without Coil
550001979	5 Section Without Coil
	3 Section With Tankless Coil
	4 Section With Tankless Coil
	5 Section With Tankless Coil

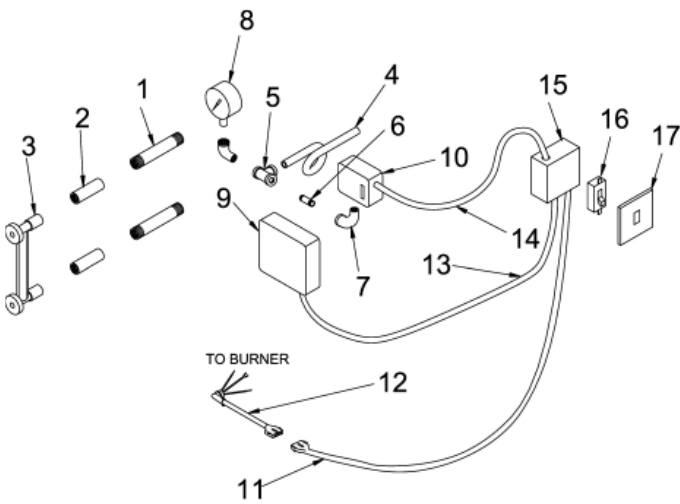
## REPLACEMENT PARTS

### COIL AND COVER PLATE



ITEM	PART NO.	DESCRIPTION	QTY.
1	HW-012.02	Bolt - 7/16 - 14 x 1 1/2 Square Head	8
2	252-2-2.00	Gasket - B Tankless	1
3	202-2-1.00	Cover Plate - B Tankless Coil	1
4	HW-013.01	Nut 7/16 - 14 Square	8
5		Tankless Coil L - 24	1
6	1635001	Well 3/4 x 1 1/2 - 123870A	1
7	275-1-1.00	Harness	1
8	AQ-008.00	Control - L4006A1827	1

### CONTROLS AND HARDWARE

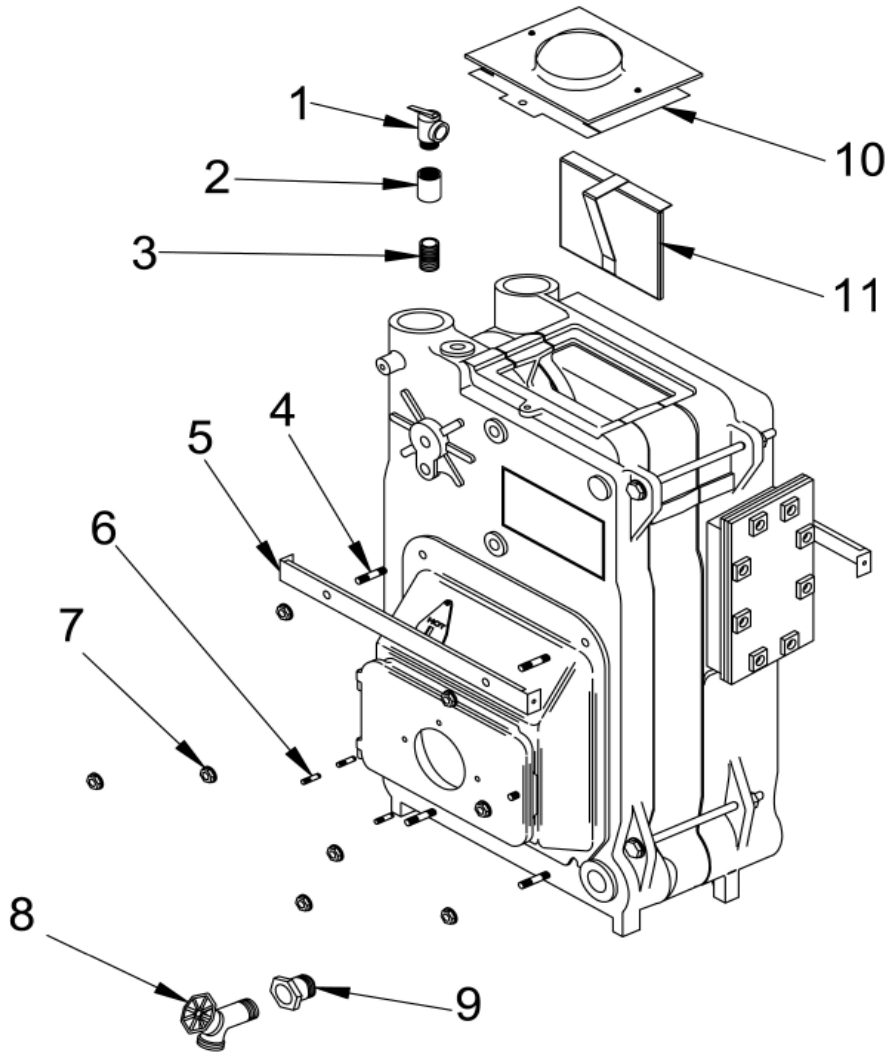


ITEM	PART NO.	DESCRIPTION	QTY
1	PF-033.02	NPL, 1/2x4NPT, BRS	2
2	14693052	CPLG, BRS, 1/2	2
3	GA-004.00	GAUGE WATER LEVEL	1
4	240007394	BRASS, SIPHON, OFF CENTER, LOOP, 62208	1
5	14693057	TEE BRASS 1/4"	1
6	240007412	PIPE, BRASS, 1/4"x3"	1
7	240007411	ELB, BRASS, 1/4", 90, STREET	2
8	GA-003.00	GAUGE PRESSURE (STEAM)	1
9	240007160	ELWCO, CG450-P-2060, CYCLE GUARD	1
10	SS-001.01	PRESSURE SWITCH PA404A-1009	1
11	1263012	HARN, J-BOX, 22"	1
12	240007187	HARN, BRNR, STEAM, BECKETT	1
13	240007161	HARN, ELWCO	1
14	28511201	HARNES PRESSURE SWITCH 30"	1
15	14631316	BOX, ELEC, 4"x2.1/8", CSA	1
16	240007282	SW, TOGGLE	1
17	240007281	J BOX, TOGGLE, COVER, 4"x4"	1

\* This includes MLWCO #2, 4, 5, 7, 8, 9, & 10

## REPLACEMENT PARTS

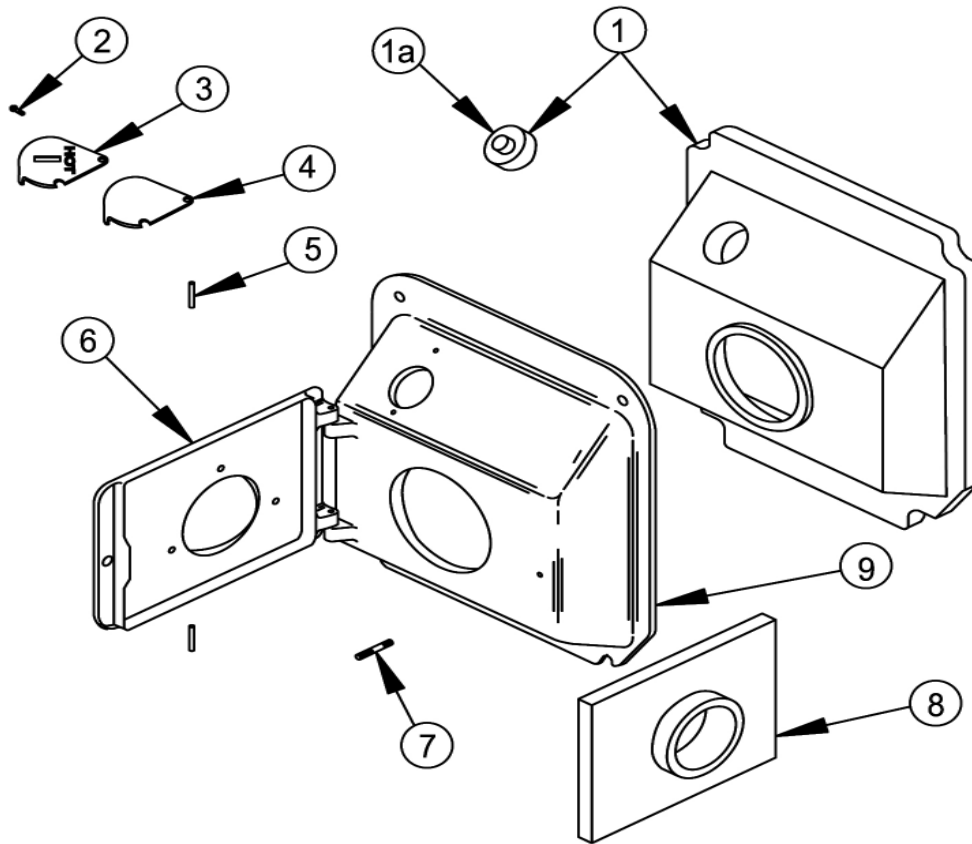
### HARDWARE



ITEM	PART NO.	DESCRIPTION	QTY
1	1570001	Safety Valve #15 3/4	1
2	1150001	Pipe Fit Coupling 3/4"	1
3	1310004	Pipe Fit Npl 3/4 Close	1
4	HW06701	Stud 5/16 -18 x 2 3/8	4
5	2252501	Support - Jacket Brkt	2
6	HW07001	Stud 5/16 " x 18 x 1 3/8"	3
7	1330001	Nut 5/16 " - 18 Wislock	8
8	240009323	Drain Valve	1
9	1060003	Pipe Fit Bushing 1 1/4 x 3/4	1
10	2452906	Flue Collector - 3 Sec.	1
	2452902	Flue Collector - 4 Sec.	
	2452903	Flue Collector - 5 Sec.	
11	109007327	Baffle, Assy, H/E, Rear	1

## REPLACEMENT PARTS

### SWING DOOR AND MOUNTING DOOR COMPONENTS



ITEM	PART NO.	DESCRIPTION	QTY
1	2552901	Mounting Door Insulation & Plug	1
1a	2551901	Door Plug Replacement	1
2	HW-005.01	Screw ¼ - 20 x ½ Self-Tapping	2
3	10011701	Observation Door	1
4	25511101	Obs. Door Gasket	1
5	HW06801	¼ x 1¾ Drive Lock Pin	2
6	10011501	Swing Door	1
7	HW06701	5/16 x 18 x 2 3/8 Stud	1
8	2553303	Insulation - Swing Door	
9	10011301	Mounting Door	1
Not Shown	10011601	Cast Iron Mtg/Swing Dr Mach. Includes Item 2,3,4,5,6,7 & 9	1

## REPLACEMENT PARTS

### BURNER COMPONENTS

ITEM	PART NO.	DESCRIPTION	QTY
1	240009694	BRNR,BECK,AFG ESC3070	1
	240009695	BRNR,BECK,AFG ESC4105	
	240009696	BRNR,BECK,AFG ESC5150	
2	1250002	BURNER OIL FLANGE GASKET #3616	1
3	CD-001.01	CAD CELL (FOR BOILERS W/ BECKETT BURNERS ONLY)	1
4	240008816	CONTROL 7505B1500 (FOR BOILERS W/ BECKETT BURNERS ONLY)	1
5	240009773	NOZZLE, 0.60-80°B ( ESC3070)	1
	14619024	NOZZLE, 0.85-60°B (ESC4105)	
	1320006	NOZZLE, 1.25-80°B ( ESC5150)	

### BURNER COMPONENTS (BECKETT BURNERS ONLY)

AFG BURNER PARTS	
PART NO.	DESCRIPTION
RP03801	Blast Tube AFG
29688	Fuel Pump, 1 Stage, 140 PSI, AFG 21849040
1250002	Burner Gasket
1050008	Motor
1050007	Transformer



**DUNKIRK BOILERS**  
2201 Dwyer Avenue, Utica NY 13501  
web site: [www.ecrinternational.com](http://www.ecrinternational.com)