



# OIL-FIRED STEAM BOILER

## SBO CAST IRON



### UP TO 85.6% AFUE EFFICIENCY

The Dunkirk SBO Steam boiler features a dependable cast iron heat exchanger with robust steel push nipples to maintain a watertight seal. Provides maximum heat transfer and is stronger than the rubber gaskets found in other boilers.

- Available in 4 sizes from 119 MBH to 210 MBH.
- Dependable Cast Iron Heat Exchanger
- Honeywell Pressure Control, Boiler Water Level Gauge Glass, and Steam Pressure Gauge
- Hydrolevel Electronic Low Water Cut Off
- Atmospheric Chimney Vent Boiler
- Textured paint Jacket with compact footprint
- Cast Iron swing door and large flueways allow for easy cleaning and servicing.
- Features a Beckett Burner in a Box Kit that is quick and easy to mount and has a plug-in harness. Makes moving the boiler down a stairway easier.
- Optional Tankless Domestic Hot Water Coil Kits
- The Flue Connection is Convertible (Rear/Top). Makes this boiler much easier to adapt to an existing chimney.
- Steam trim is shipped loose allowing the installer optional locations for the condensate return piping, pressure relief valve and boiler drain.

### DUNKIRK DEPENDABILITY



12 Year Limited Warranty (Residential Applications).



Innovative. Efficient. Dependable. Dunkirk



www.dunkirk.com  
PN 240013312 Rev. [12/17/20]

## RATINGS

### AHRI CERTIFIED RATINGS

MODEL	Firing Rate GPH	Input MBH <sup>(1)</sup>	Heating Capacity MBH <sup>(1)(3)</sup>	Net Steam MBH <sup>(2)</sup>	Net Steam SQ. FT.	Efficiency AFUE% <sup>(3)</sup>	Chimney Size	Water Content GAL.	- A - Width	- B - Height	- C - Depth	Weight Lbs.	Tankless Capacity GPM
SBO-3085	0.85	119	104	78	325	85.6	8" x 8" x 15'	12.00	22 1/8"	35"	15 3/4"	570	2.4
SBO-3105	1.05	147	127	95	396	85.0	8" x 8" x 15'	12.00	22 1/8"	35"	15 3/4"	570	3.0
SBO-4125	1.25	175	152	114	475	85.6	8" x 8" x 15'	14.87	22 1/8"	35"	19 3/4"	685	3.6
SBO-4150	1.50	210	180	135	563	85.0	8" x 8" x 15'	14.87	22 1/8"	35"	19 3/4"	685	4.3

(1) Oil burner input based on 140,000 Btu/gal.

(2) Net AHRI Steam Ratings shown are based on a piping and pickup allowance of 1.33. Consult manufacturer before selecting boiler for installations having unusual piping and pickup requirements, such as intermittent system operation, extensive piping.

(3) Heating Capacity and AFUE based on U.S. Department of Energy test procedure.

### CONNECTIONS

Steam Supply	2" NPT
Condensate Return	1-1/4" NPT
Oil Line	3/8" O.D. Copper Tubing for runs 50' or less 1/2" O.D. Copper Tubing for runs over 50'

### ELECTRICAL

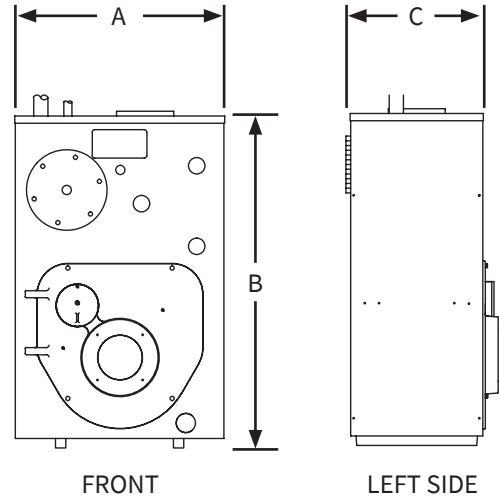
120 V ac, 60 hertz, 1 phase, less than 12 amps  
(15 amp circuit recommended)

### STANDARD EQUIPMENT

Crated boiler, flush jacket, target wall/liner, safety valve, steam water level gauge, steam pressure gauge, steam pressure control, low water cut-off, drain valve, wiring harness, burner electric disconnect, skim port.  
Factory packaged with the top flue outlet, field convertible to rear flue outlet.

### OPTIONS

Tankless Coil Kits  
Beckett AFG Burner in a Box Kit  
Beckett Burner Rerate Kits



ECR International, Inc. 2201 Dwyer Avenue, Utica, NY 13501  
Tel. 800 253 7900  
www.ecrinternational.com



All specifications subject to change without notice.  
©2020 ECR International, Inc.  
PN 240013312 Rev. [12/17/20]